



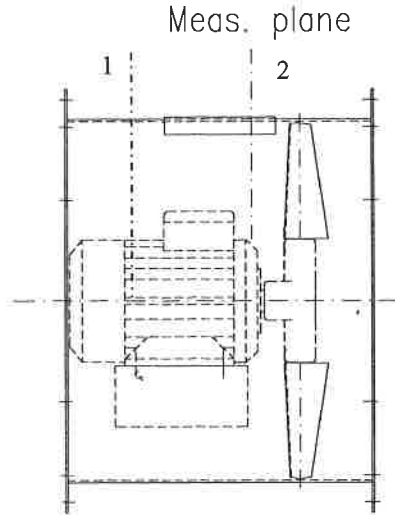
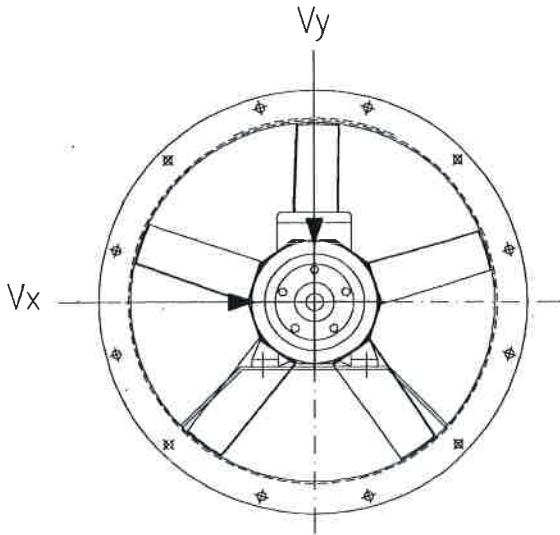
Postboks 73 Nyborg, 5871 Bergen
 Tel. +47 55 53 51 50 – Fax +47 55 19 31 43
 E-mail: jlbruvik@bruvik.no - www.bruvik.no

Dokument tittel / Document description

**FAN RUN TEST REPORT
 AXIAL FAN**

Utarbeidet / Prepared EOL	Godkjent / Approved JAM	Dato / Date 11.09.97	Side 1	Av / Of 1
------------------------------	----------------------------	-------------------------	-----------	--------------

Customer : *AFD Offshore Aeron Mollier* Purchase No. :
 Fan type : *BRY 1000 EX* Order No. : *171427*
 Description : Tag No. : *77G2502 C.D*



El. motor data: *13.5* kW
 *69.0* V
 *1460* Rpm
 *14.8* Amp.
 *50* Hz

Input motor: *680* V
 *50* Hz

Vibration motor : Vx1: *2.8* mm/s
 Vy1: *2.4* mm/s

Vx2: *2.8* mm/s
 Vy2: *2.4* mm/s

Measured current: R: *8.3* Amp.
 S: *8.5* Amp.
 T: *8.4* Amp.

Motor temperature after 15 minutes of running: *21* °C

Measured impeller speed: *1460* Rpm

Date *1/8-17* Operator sign.: *K.E.* Project eng. sign.: *S.J.*

Dato / Date 14.12.14	Revisjon / Revision 3	Dok. Nr. / Doc. No. 021-12-009
-------------------------	--------------------------	-----------------------------------



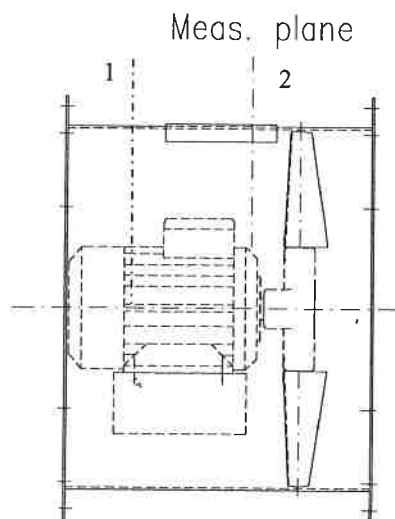
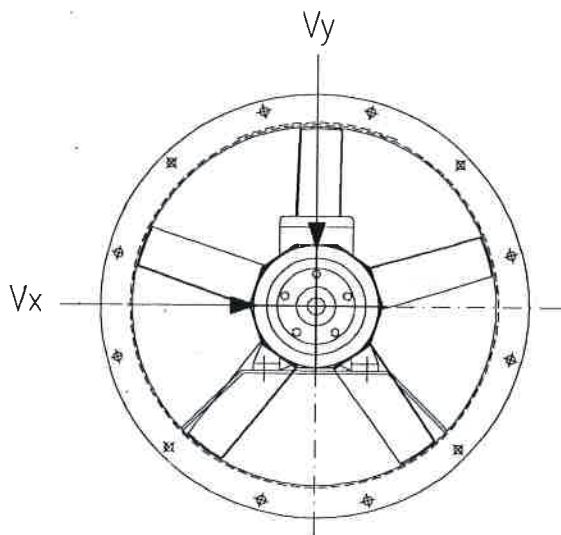
Postboks 73 Nyborg, 5871 Bergen
 Tel. +47 55 53 51 50 – Fax +47 55 19 31 43
 E-mail: jlbruvik@bruvik.no - www.bruvik.no

Dokument tittel / Document description

**FAN RUN TEST REPORT
 AXIAL FAN**

Utarbeidet / Prepared EOL	Godkjent / Approved JAM	Dato / Date 11.09.97	Side 1	Av / Of 1
------------------------------	----------------------------	-------------------------	-----------	--------------

Customer : A.F. Offshore Aeron Mollier Purchase No. :
 Fan type : BRV1000EX Order No. : 1714.27
 Description : Tag No. : 77G.2502.D.D



El. motor data: 13.5 kW
690 V
1460 Rpm
14.8 Amp.
50 Hz

Input motor: 680 V
50 Hz

Vibration motor : V_{x1}: 2.4 mm/s
 V_{y1}: 2.4 mm/s

V_{x2}: 2.4 mm/s
 V_{y2}: 2.3 mm/s

Measured current: R: 8.3 Amp.
 S: 8.6 Amp.
 T: 8.3 Amp.

Motor temperature after 15 minutes of running: 21 °C

Measured impeller speed: 1460 Rpm

Date 1/8-17 Operator sign.: K.T. Project eng. sign.: S.J.

Dato / Date 14.12.14	Revisjon / Revision 3	Dok. Nr. / Doc. No. 021-12-009
-------------------------	--------------------------	-----------------------------------