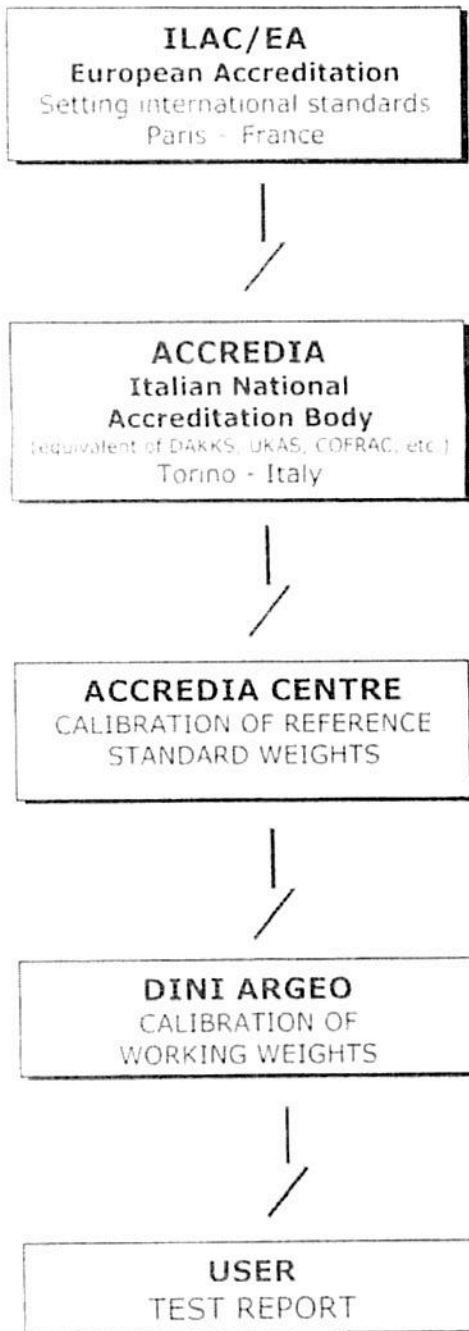


Weight traceability for quality guarantee

Traceability chain



The working weights are calibrated by Dini Argeo every year, in order to guarantee the best weighing performance of the manufactured scales. The reference standard weights used by Dini Argeo are calibrated by an ACCREDIA accredited Laboratory.

The measurement results reported in the Test Report are the result of an approved procedure. The Test Report identifies the reference standard weights used, from which starts the traceability chain of Dini Argeo with the related calibration certificates in their course of validity.

Dini Argeo verifies that the scale measurement results (for both internal use and legal for trade instruments) respect the following EN45501 error table for legal for trade scales of class III.

Maximum Permissible error at initial verification	For "m" Loads expressed in "e" legal for trade divisions
$\pm 0,5 e$	$0 \leq m \leq 500$
$\pm 1 e$	$500 < m \leq 2000$
$\pm 1,5 e$	$2000 < m \leq 10000$

Dini Argeo recommends to keep record of the "Crane scale Test Report" as a quality guarantee of the measurements results, and for each future calibration control of the crane scale.



DICHIARAZIONE DI CONFORMITA'
DECLARATION OF CONFORMITY
KONFORMITÄTSERKLÄRUNG
DÉCLARATION DE CONFORMITÉ
DECLARACIÓN DE CONFORMIDAD



Fabbricante Manufacturer Hersteller Fabricant Fabricante	DINI ARGEO srl
Dinamometro elettronico modello: Electronic crane scale model Elektronische Kranwaage Modell Dynamomètre électronique modèle Gancho pesador electrónico modelo	MCWN11T6M
Anno di costruzione: Manufacturing year Herstellungsjahr Année de fabrication Año de construcción	2013
Numero di serie: Serial number Seriennummer Número de serie Número de serie	0100214031

E' conforme alle direttive:

Conforms to the directives / Konform mit folgenden richtlinien ist / Est conforme aux directives / Es conforme a las directivas

2004/108/CE - Compatibilità Elettromagnetica

Electromagnetic Compatibility / Elektromagnetische Kompatibilität / La compatibilita Electromagnétique / Compatibilidad Electromagnética

-Con riferimento alle norme armonizzate:

With reference to these harmonised norms / Mit Bezug auf die Normen / En référence aux normes harmonisées / Con referencia a las normas armonizadas

(CEI EN 61000-6-2 / 2006 ; CEI EN 61000-6-4 / 2007 ; CEI EN 61326-1 / 2007 ; CEI EN 55011 / 2009)

2006/42/CE - Macchine

Machines / Maschinen / Machines / Maquinas

Dichiara inoltre che:

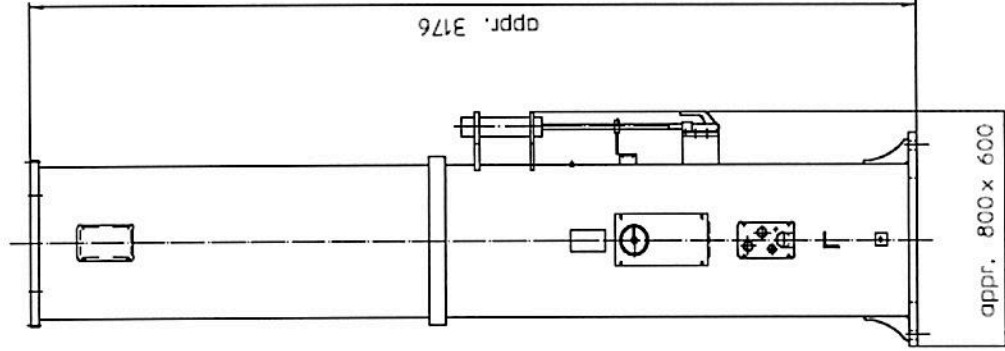
Declares also that / Der Hersteller erklärt außerdem, dass / Déclare également que / Declara también que

-La persona autorizzata a costituire il fascicolo tecnico presso la sede del fabbricante è la Direzione Tecnica.

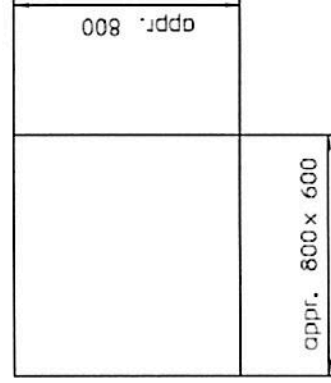
The person authorised to compose the technical file at the premises of the manufacturer is the Technical Management / Die autorisierte Person, die die technischen Dokumente im Firmensitz des Herstellers verwaltet, ist das technische Management / La personne autorisée à constituer le dossier technique chez la siège du fabricant est le directeur technique / La persona autorizada a constituir el expediente técnico en la sede del fabricante es la Dirección Técnica

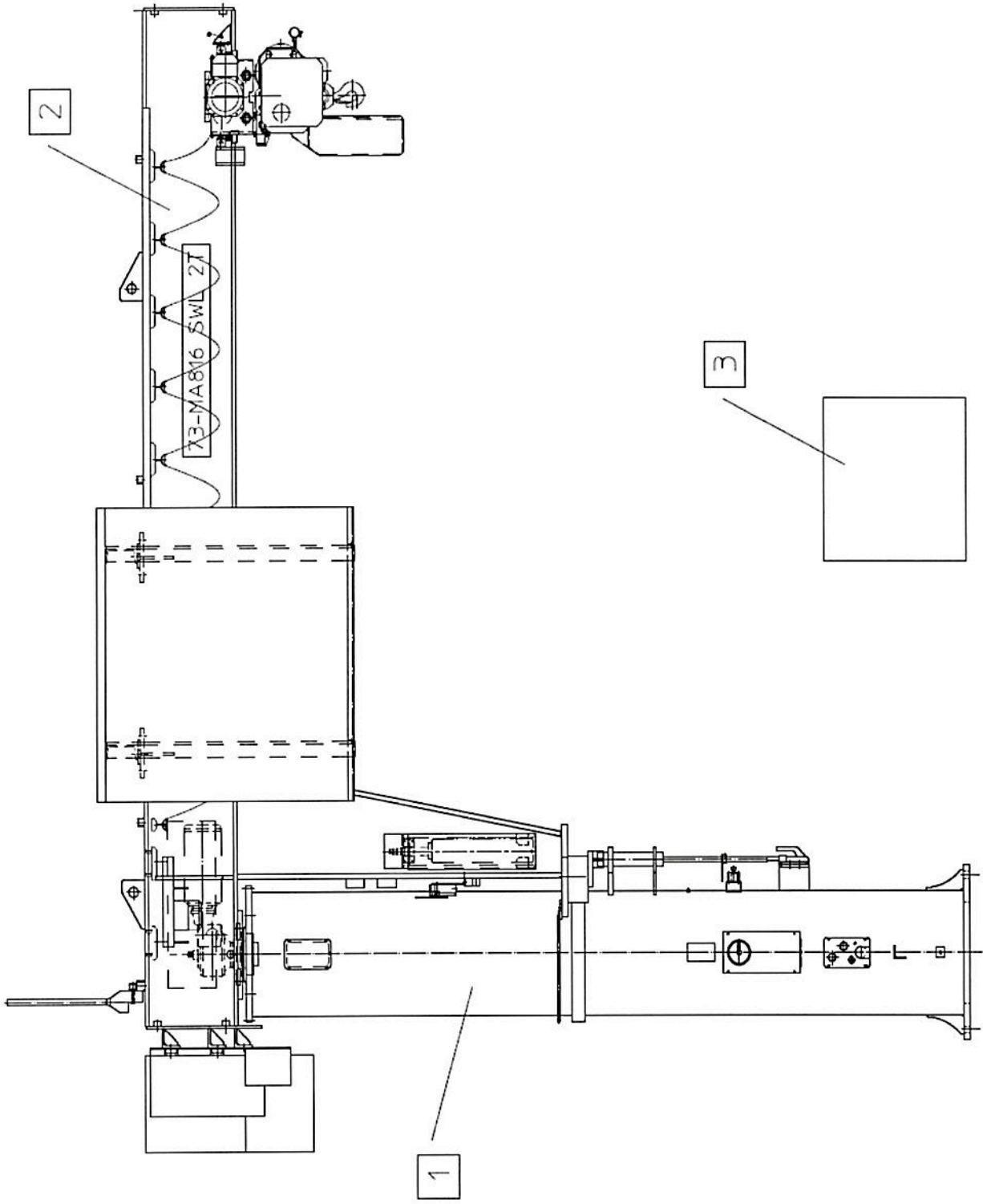
Data/Date/Datum 14/02/2014	Firma/Signature/Unterschrift
-------------------------------	----------------------------------

- Part 2:
- Pre-assembled column
 - with locking device
 - with bracket for main switch
 - with bracket for limit switch of jib locking device



- Part 3:
- Box with
 - main switch
 - slewing stops
 - operator for slewing limit switch
 - limit switch for slewing drive (locking device)
 - fixing bolts
 - handholes including lids
 - remote control transmitter with accessories





Project: Troll A TPC34 EPCic
Document no.: VB-3022-M-QW-200
Doc. Title: Weight Certificate, Vetter

Page: 2 of 11
Date: 12.05.15
Rev.: AB

Index

1. Weight certificate 73-MA816, Vetter.....3
2. Calibration certificate.....7